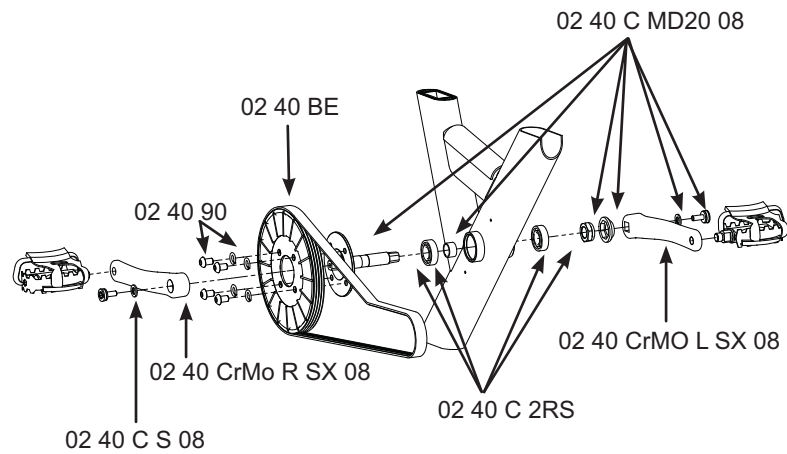
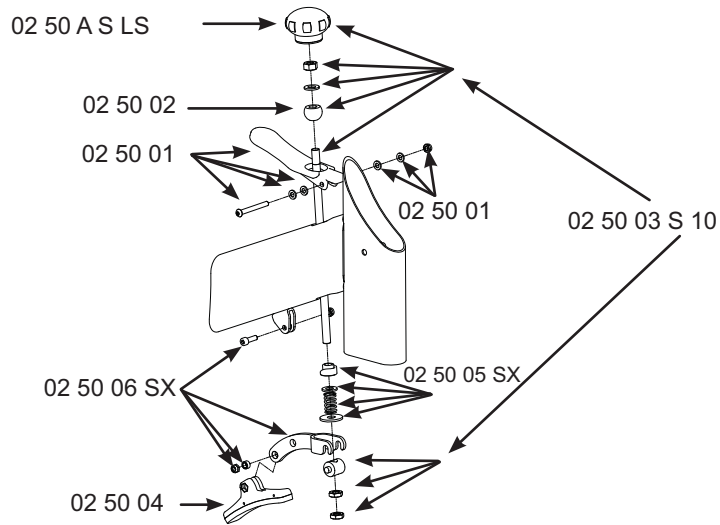


SPARE PARTS

Drive Gear Parts

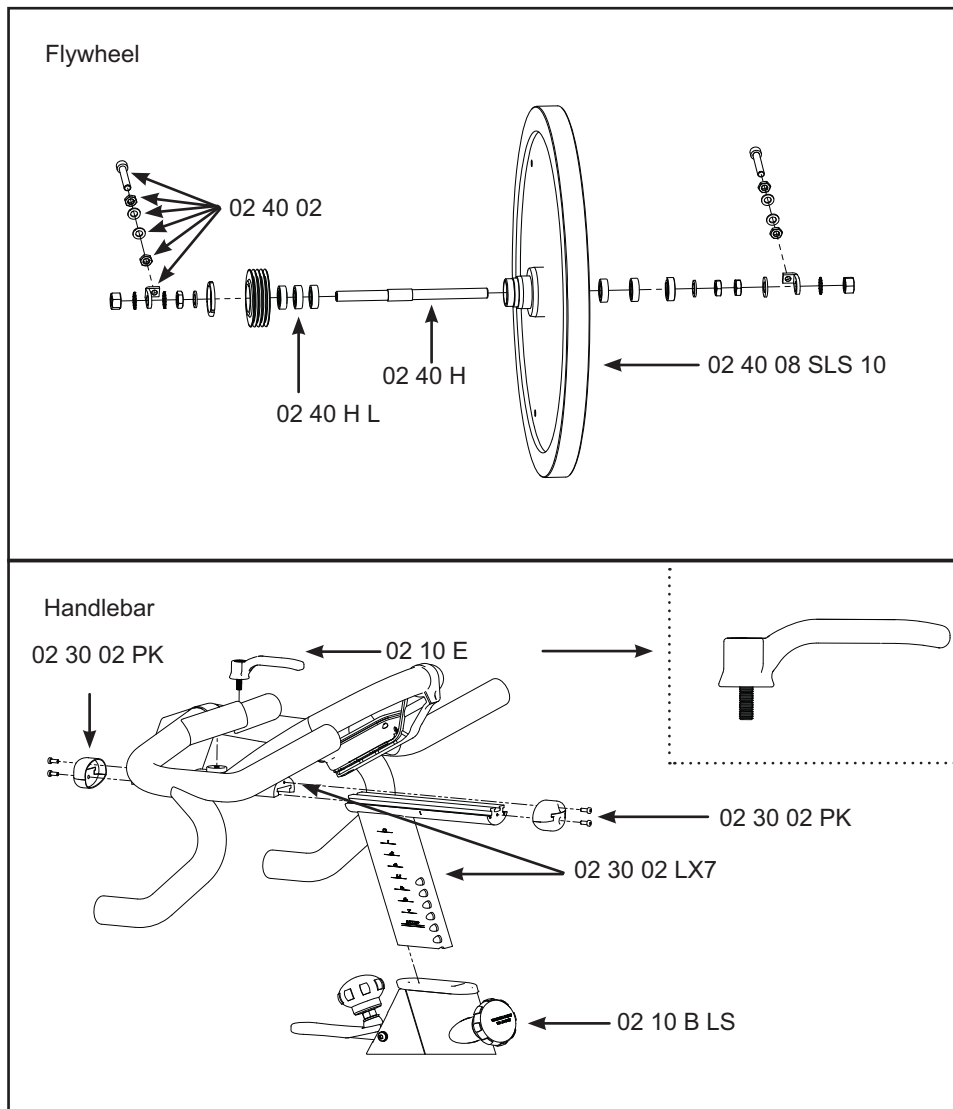


Brake Parts

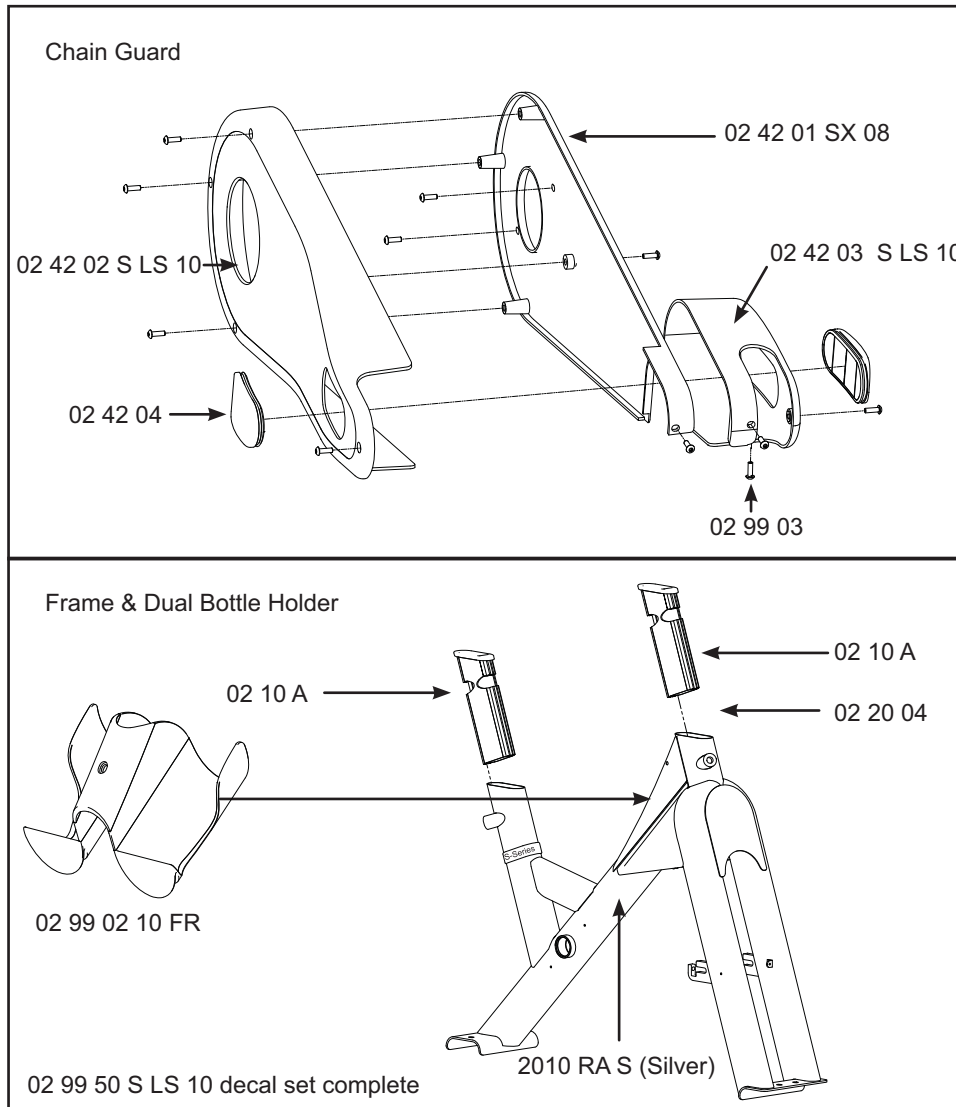


ENG ESP

SPARE PARTS

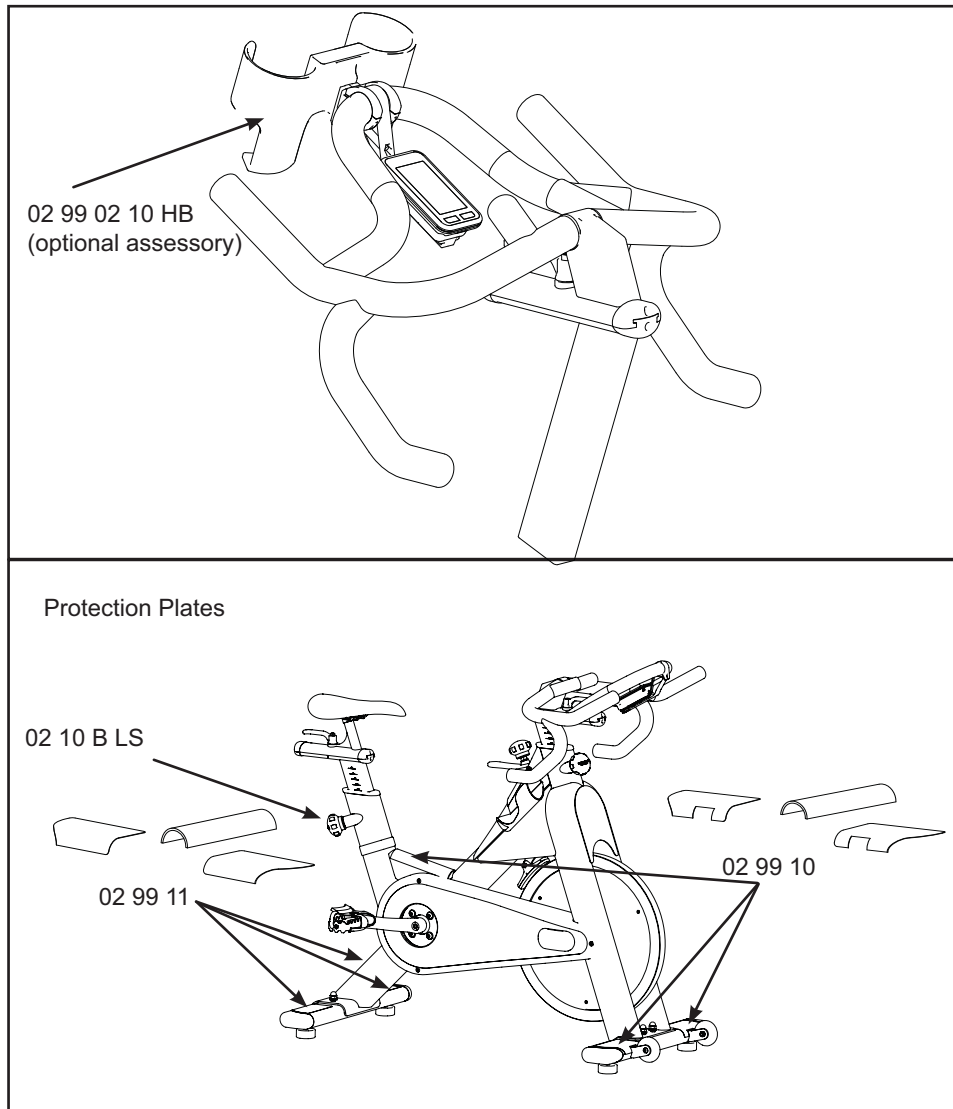


SPARE PARTS

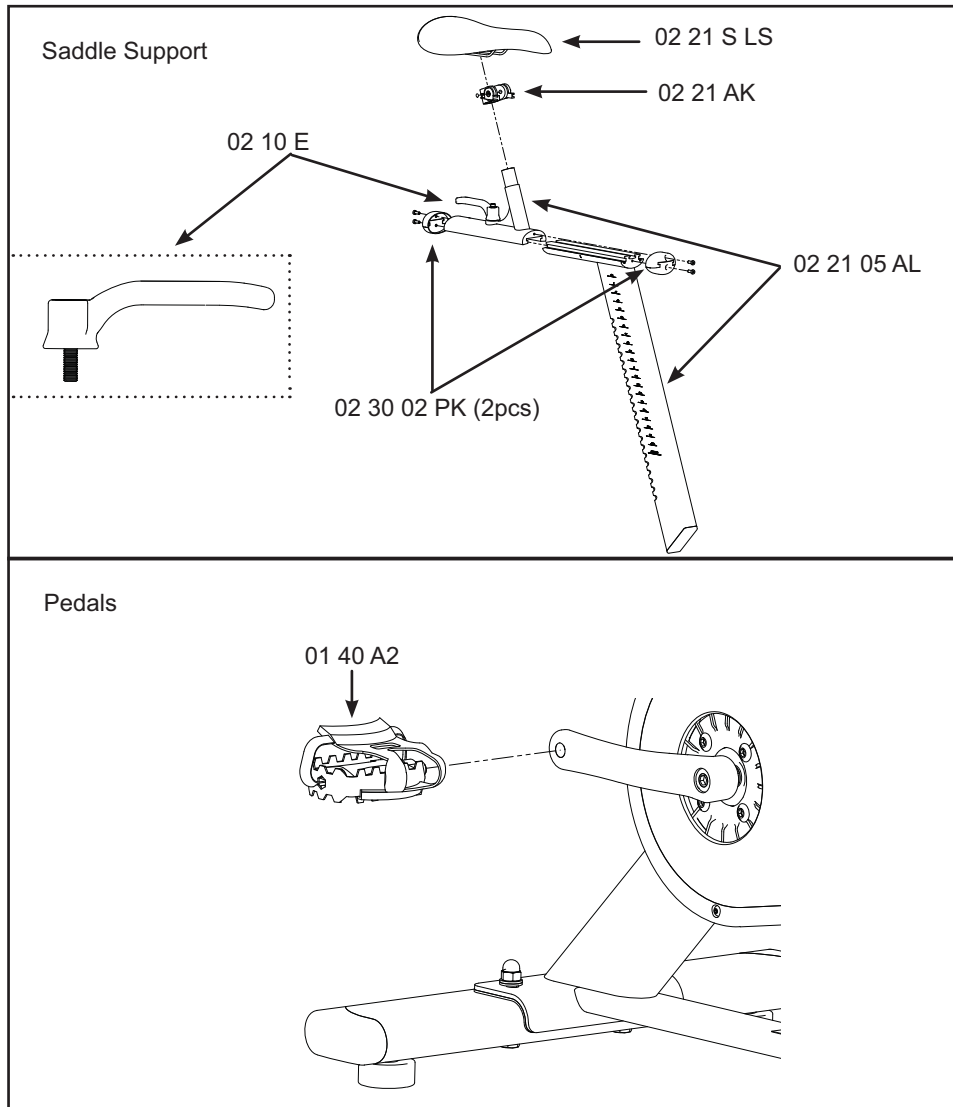


ENG ESP

SPARE PARTS

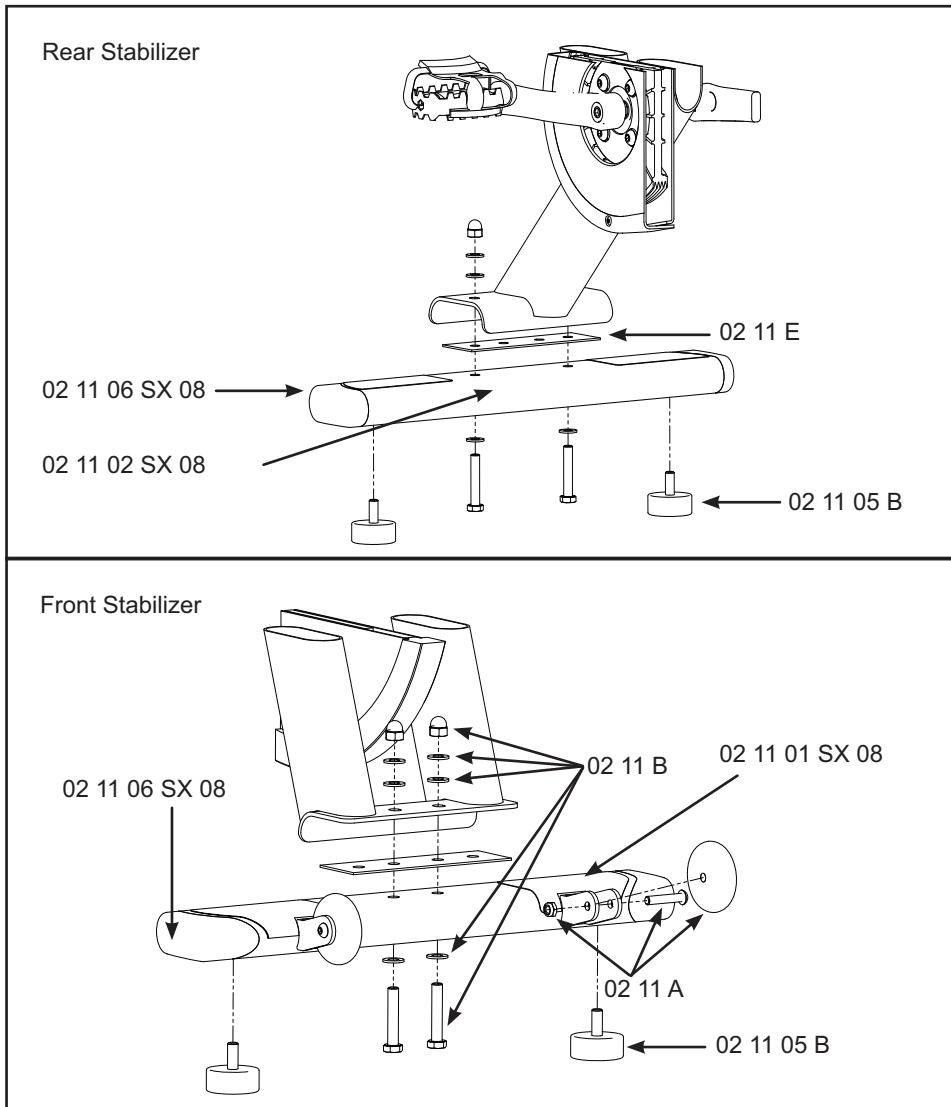


SPARE PARTS



ENG ESP

SPARE PARTS



SPARE PARTS LIST

Drive Gear Parts

02 40 BE	Belt
02 40 CrMo R SX 08	Right crank
02 40 CrMo L SX 08	Left crank
02 40 C S 08	Allen bolt M8x20
02 40 C MD20 08	BB assembly MD20
02 40 C 2 RS	Ball bearing SKF 6004Z

Brake Parts

02 50 A S LS	Brake adjustment knob
02 50 02	adjustment ball
02 50 01	Emergency brake handle
02 50 06 SX	Bell crank
02 50 04	Brake pad
02 50 03 S 10	Upper brake rod + adj.drums
02 50 05 SX	Lower brake rod

Pedals

01 40 A 2	Combi-Pedals (pair)
01 40 A 3	toe strap (pair)

Flywheel

02 40 H	Flywheel axle
02 40 02	Chain tensioner
02 40 H L	Flywheel bearing 6001Z
02 40 08 S LS 10	LS-S-series flywheel

Saddle Support

02 21 S LS	Saddle
02 21 AK	Saddle mounting bracket
02 21 05 AL	Horizontal & vertical saddle support
02 10 E	Lock handle
02 10 B LS	Pop pin adj. knob

Chain Guard

02 42 02 S LS 10	Outer chain guard
02 42 04	Plastic cover
02 42 01 SX 08	Inner chain guard
02 42 03 S LS10	Left cover
02 99 03	Allen bolt M4x15

Frame

2010 RA S	S-Series frame
02 10 A	Vertical insert sleeve
02 20 04	Rubber stop handleb.tube
02 10 B LS	Pop pin adj. knob
02 99 02 10 FR	Bottle Holder (sweat guard)
02 99 02 10 HB	Bottle Holder (handlebar)
02 99 50 S LS 10	decal set LS-S-series complete

Front Stabilizer

02 11 01 SX 08	Front stabilizer
02 11 B	Stabilizer mounting kit
02 99 10	Front protection plates (3pc.)
02 11 A	Transport wheel
02 11 06 SX 08	Plastic end cover

Rear Stabilizer

02 11 E	PVC gasket
02 11 02 SX 08	Rear stabilizer
02 11 06 SX 08	Plastic end cover
02 11 05 B	Rubber foot stand
02 99 11	Rear protection plates (3pc.)

Handlebar

02 30 02 LX7	racing handlebar „LX7“
02 10 E	Lock handle
02 10 B LS	Pop pin adj. knob

For components and parts relating to the commercial onboard computer please refer to page 9.